

# SBS Series



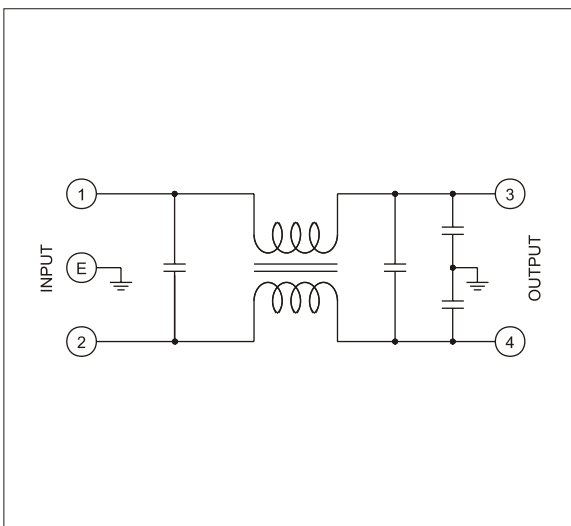
## BOLT/Square 1-Phase

- 5 - 20Amp 250V
- Excellent Filtering for Normal Mode and common Mode Noise
- Low Leakage
- Bolt Terminals
- Suitable for Industrial & Medical Equipments, OA & FA Equipments, Measuring Equipments, etc.

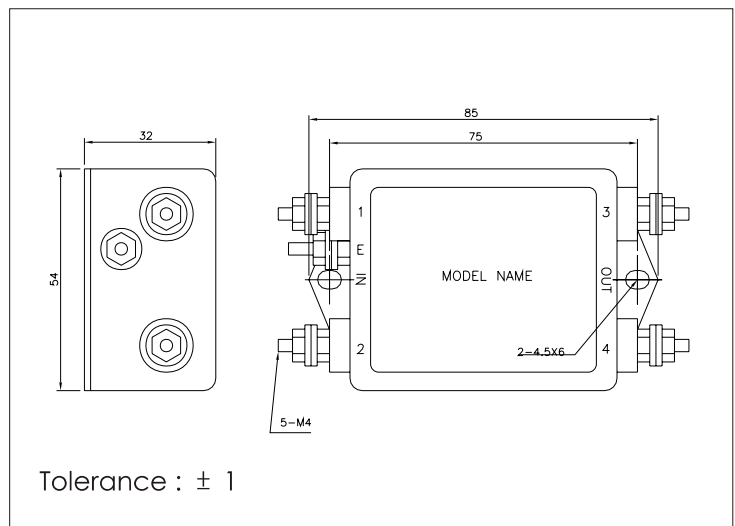
### SPECIFICATIONS

Item	UF5SBS	UF6SBS	UF10SBS	UF15SBS	UF20SBS	Unit
RATED CURRENT	5	6	10	15	20	A
RATED VOLTAGE	250 Max					V
TEST VOLTAGE	2,500Vrms between line and earth for 1 minute					/
ISOLATION RESISTANCE	500Vdc 300Mohm between line and earth					/
LEAKAGE CURRENT	1 Max					mA
TEMPERATURE RISE	30 Max					°C
OPERATING TEMPERATURE	-25 ~ +85					°C

### BLOCK DIAGRAM



### DIMENSIONS(UNITS : MM)



# SBS Series



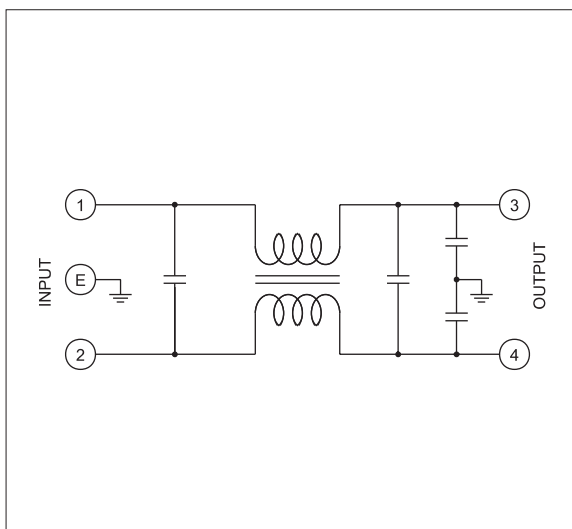
## BOLT/Square 1-Phase

- **30Amp 250V**
- **Excellent Filtering for Normal Mode and common Mode Noise**
- **Low Leakage**
- **Bolt Terminals**
- **Suitable for Industrial & Medical Equipments, OA & FA Equipments, Measuring Equipments, etc.**
- **Approved by EN60939-2  $\Delta$**

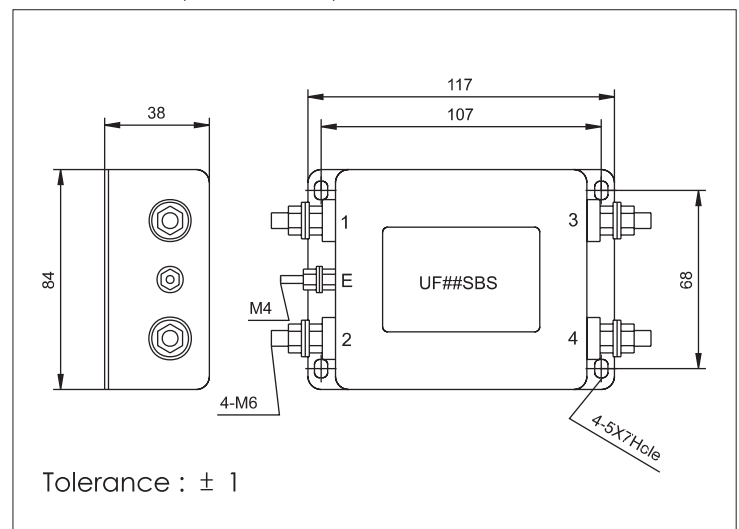
### SPECIFICATIONS

Item	UF30SBS	Unit
RATED CURRENT	<b>30</b>	A
RATED VOLTAGE	250 Max	V
TEST VOLTAGE	2,500Vrms between line and earth for 1 minute	/
ISOLATION RESISTANCE	500Vdc 300Mohm between line and earth	/
LEAKAGE CURRENT	1 Max	mA
TEMPERATURE RISE	30 Max	°C
OPERATING TEMPERATURE	-25 ~ +85	°C
APPROVALS	TUV	/

### BLOCK DIAGRAM



### DIMENSIONS(UNITS : MM)



# SBS Series



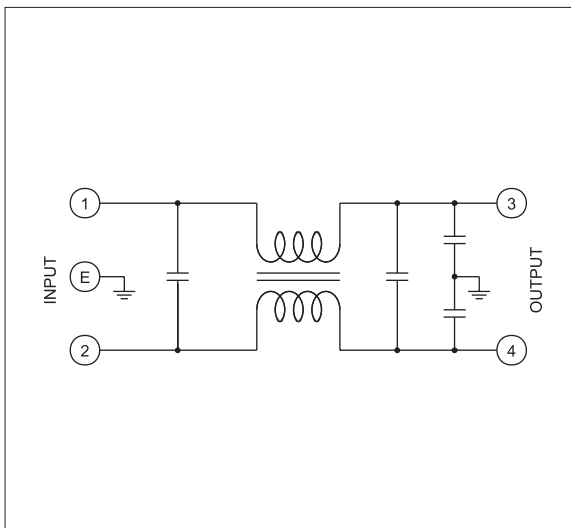
## BOLT/Square 1-Phase

- **40 - 50Amp 250V**
- **Excellent Filtering for Normal Mode and common Mode Noise**
- **Low Leakage**
- **Bolt Terminals**
- **Suitable for Industrial & Medical Equipments, OA & FA Equipments, Measuring Equipments, etc.**
- **Approved by EN60939-2  $\Delta$**

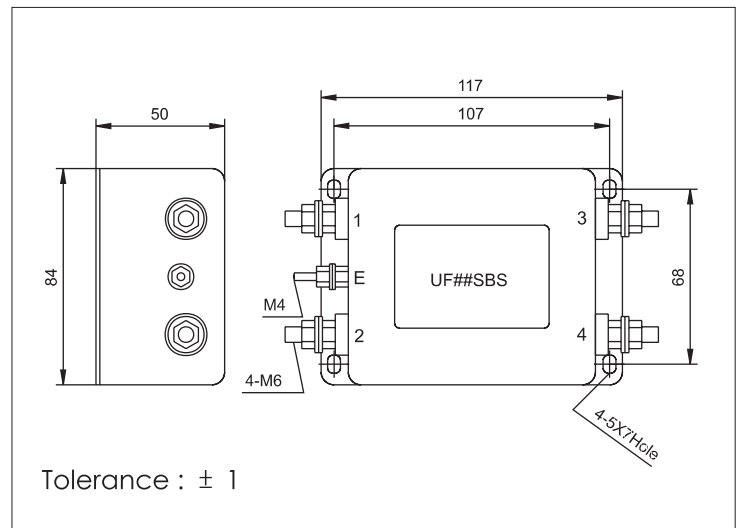
### SPECIFICATIONS

Item	UF40SBS	UF50SBS	Unit
RATED CURRENT	<b>40</b>	<b>50</b>	A
RATED VOLTAGE	250 Max		V
TEST VOLTAGE	2,500Vrms between line and earth for 1 minute		/
ISOLATION RESISTANCE	500Vdc 300Mohm between line and earth		/
LEAKAGE CURRENT	1 Max		mA
TEMPERATURE RISE	30 Max		°C
OPERATING TEMPERATURE	-25 ~ +85		°C
APPROVALS	TUV	TUV	/

### BLOCK DIAGRAM



### DIMENSIONS(UNITS : MM)



# SBS Series



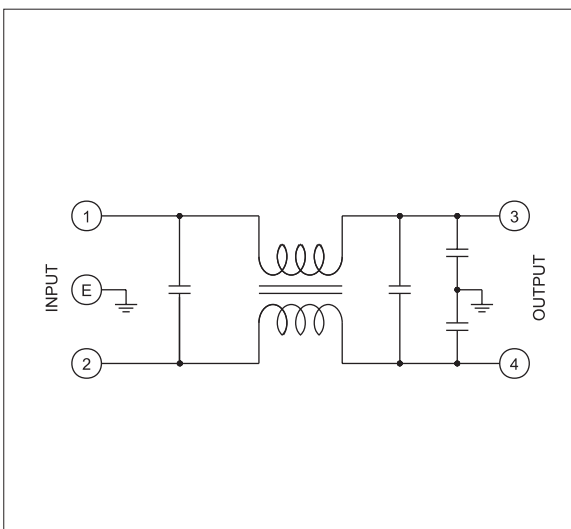
## BOLT/Square 1-Phase

- **60 - 80Amp 250V**
- **Excellent Filtering for Normal Mode and common Mode Noise**
- **Low Leakage**
- **Bolt Terminals**
- **Suitable for Industrial & Medical Equipments, OA & FA Equipments, Measuring Equipments, etc.**
- **Approved by EN60939-2**

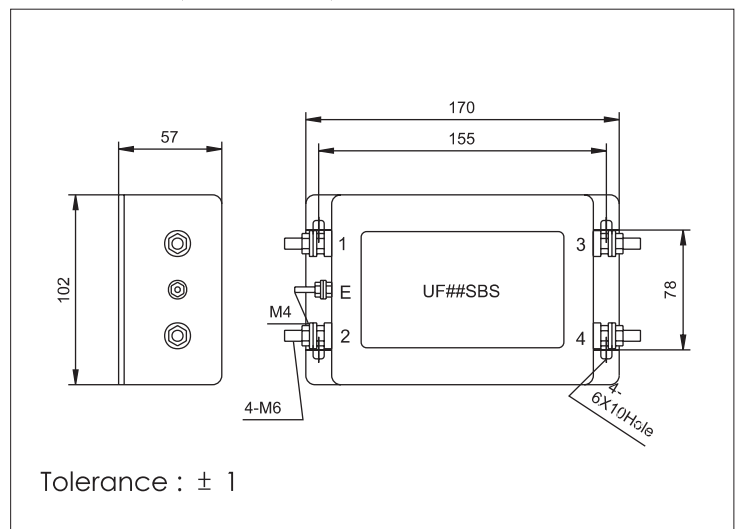
### SPECIFICATIONS

Item	UF60SBS	UF80SBS	Unit
RATED CURRENT	<b>60</b>	<b>80</b>	A
RATED VOLTAGE	250 Max		V
TEST VOLTAGE	2,500Vrms between line and earth for 1 minute		/
ISOLATION RESISTANCE	500Vdc 300Mohm between line and earth		/
LEAKAGE CURRENT	1 Max		mA
TEMPERATURE RISE	30 Max		°C
OPERATING TEMPERATURE	-25 ~ +85		°C
APPROVALS	TUV	TUV	/

### BLOCK DIAGRAM



### DIMENSIONS(UNITS : MM)



# SBS Series



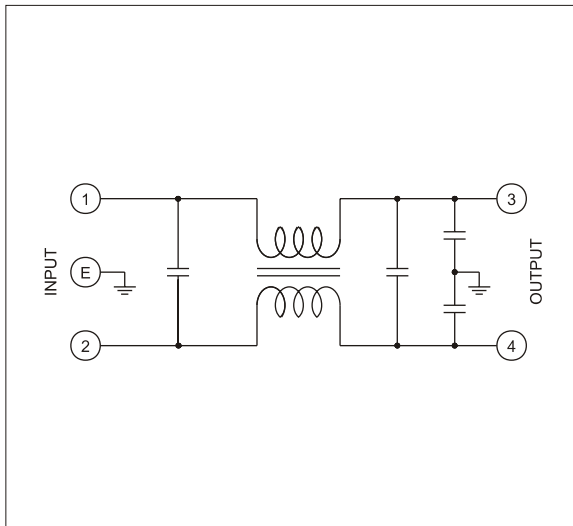
## BOLT/Square 1-Phase

- 100 - 150Amp 250V
- Excellent Filtering for Normal Mode and common Mode Noise
- Low Leakage
- Bolt Terminals
- Suitable for Industrial & Medical Equipments, OA & FA Equipments, Measuring Equipments, etc.

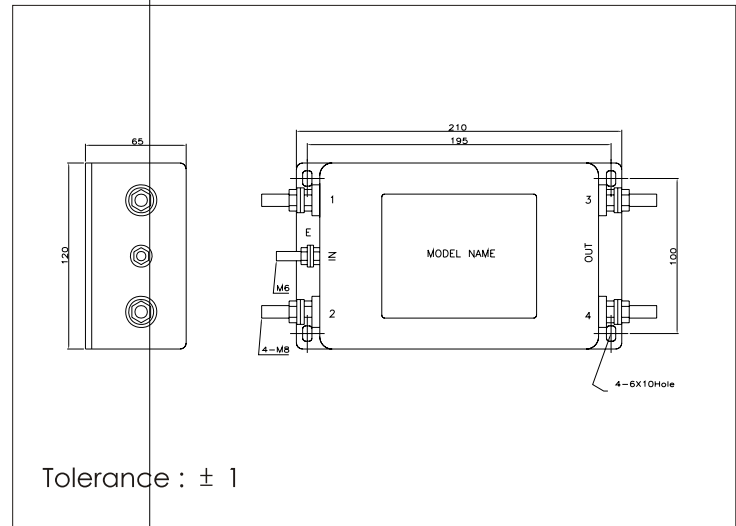
### SPECIFICATIONS

Item	UF100SBS	UF120SBS	UF150SBS	Unit
RATED CURRENT	100	120	150	A
RATED VOLTAGE	250 Max			V
TEST VOLTAGE	2,500Vrms between line and earth for 1 minute			/
ISOLATION RESISTANCE	500Vdc 300Mohm between line and earth			/
LEAKAGE CURRENT	1 Max			mA
TEMPERATURE RISE	30 Max			°C
OPERATING TEMPERATURE	-25 ~ +85			°C

### BLOCK DIAGRAM



### DIMENSIONS(UNITS : MM)



# SBS Series



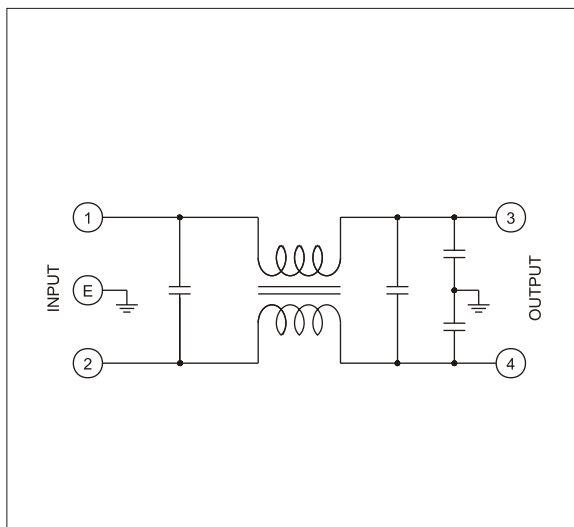
## BOLT/Square 1-Phase

- 200 - 300Amp 250V
- Excellent Filtering for Normal Mode and common Mode Noise
- Low Leakage
- Bolt Terminals
- Suitable for Industrial & Medical Equipments, OA & FA Equipments, Measuring Equipments, etc.

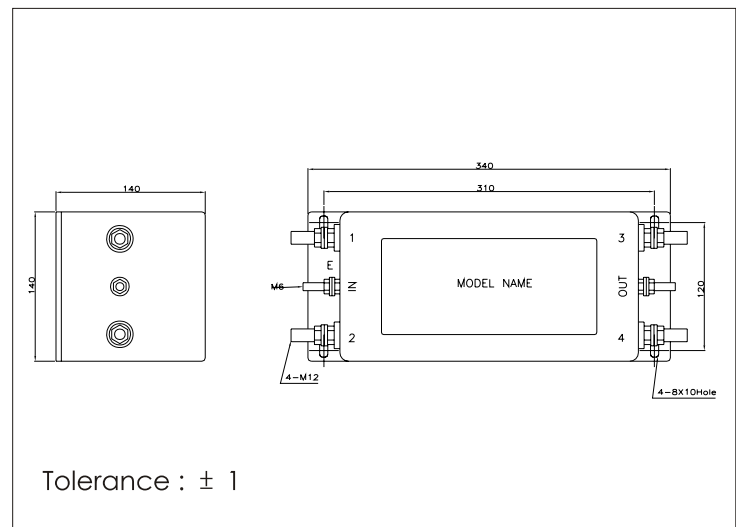
### SPECIFICATIONS

Item	UF200SBS	UF300SBS	Unit
RATED CURRENT	200	300	A
RATED VOLTAGE	250 Max		V
TEST VOLTAGE	2,500Vrms between line and earth for 1 minute		/
ISOLATION RESISTANCE	500Vdc 300Mohm between line and earth		/
LEAKAGE CURRENT	1 Max		mA
TEMPERATURE RISE	30 Max		°C
OPERATING TEMPERATURE	-25 ~ +85		°C

### BLOCK DIAGRAM



### DIMENSIONS(UNITS : MM)



# SBS Series



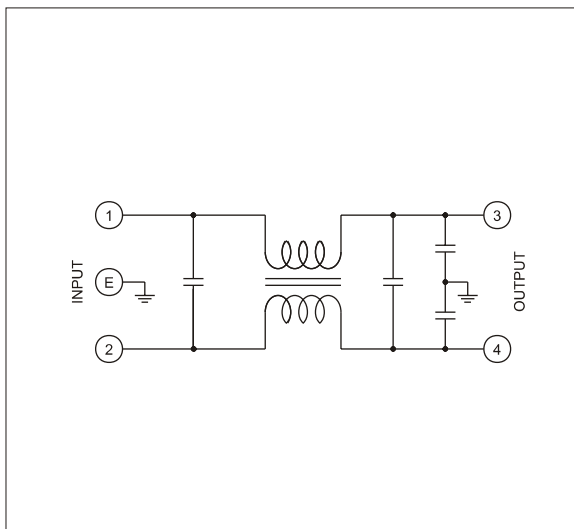
## BOLT/Square 1-Phase

- **400Amp 250V**
- **Excellent Filtering for Normal Mode and common Mode Noise**
- **Low Leakage**
- **Bolt Terminals**
- **Suitable for Industrial & Medical Equipments, OA & FA Equipments, Measuring Equipments, etc.**

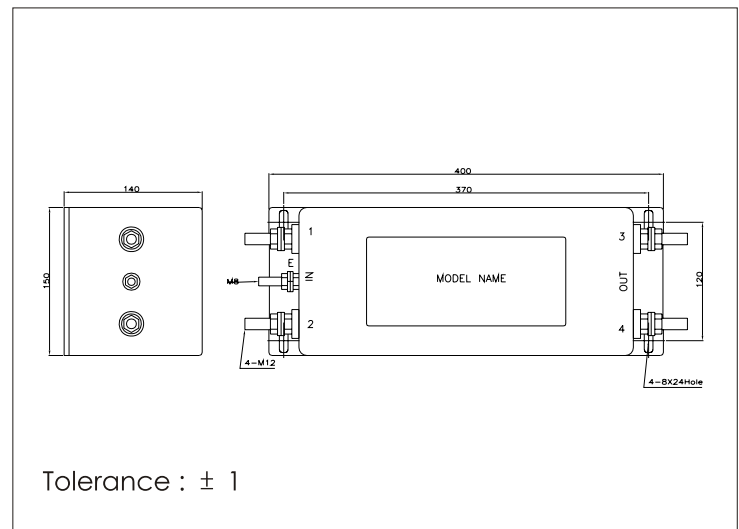
### SPECIFICATIONS

Item	UF400SBS	Unit
RATED CURRENT	<b>400</b>	A
RATED VOLTAGE	250 Max	V
TEST VOLTAGE	2,500Vrms between line and earth for 1 minute	/
ISOLATION RESISTANCE	500Vdc 300Mohm between line and earth	/
LEAKAGE CURRENT	1 Max	mA
TEMPERATURE RISE	30 Max	°C
OPERATING TEMPERATURE	-25 ~ +85	°C

### BLOCK DIAGRAM

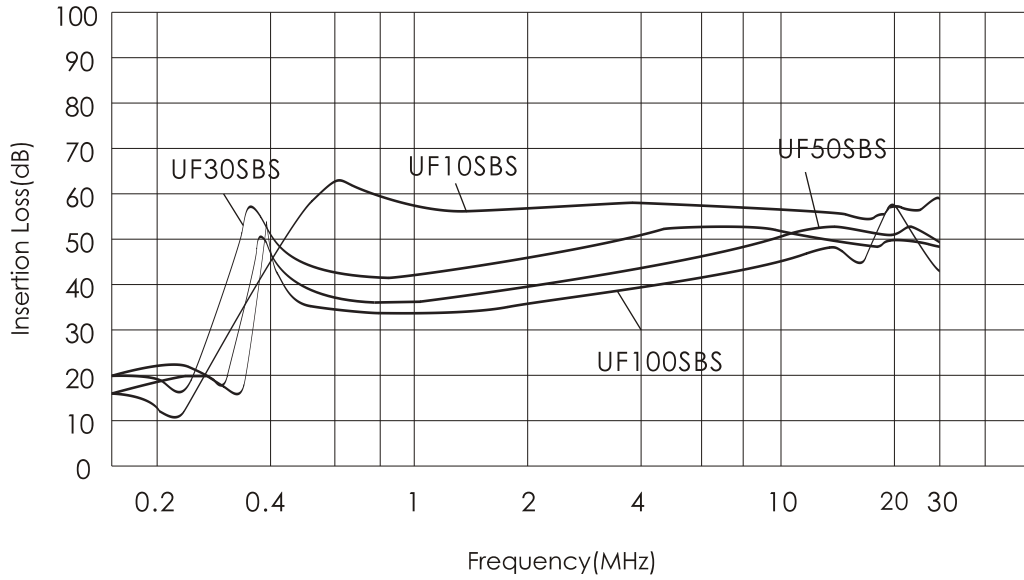


### DIMENSIONS(UNITS : MM)



Characteristic curve

A. COMMON MODE



B. NORMAL MODE

