

TBH Series



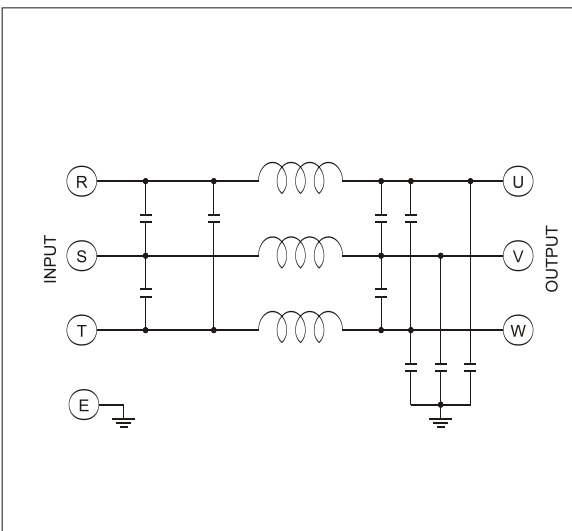
BOLT/High-volt 3-Phase

- 5 - 10Amp 450V
- Excellent Filtering for Normal Mode and common Mode Noise
- Low Leakage
- Bolt Terminals
- Suitable for Industrial & Medical Equipments, OA & FA Equipments, Measuring Equipments, etc.
- TUV Approved

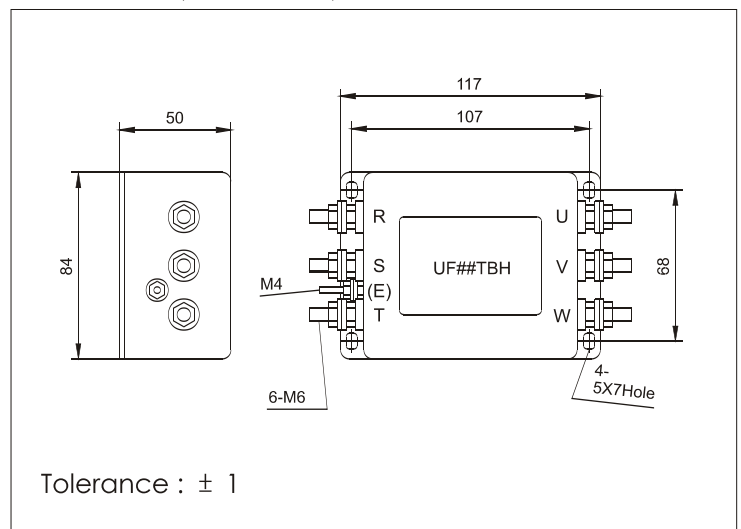
SPECIFICATIONS

Item	UF5TBH	UF10TBH	Unit
RATED CURRENT	5	10	A
RATED VOLTAGE	450 Max		V
TEST VOLTAGE	1,500Vrms between line and earth for 1 minute		/
ISOLATION RESISTANCE	500Vdc 300Mohm between line and earth		/
LEAKAGE CURRENT	1 Max		mA
TEMPERATURE RISE	40 Max		°C
OPERATING TEMPERATURE	-25 ~ +85		°C

BLOCK DIAGRAM



DIMENSIONS(UNITS : MM)



TBH Series



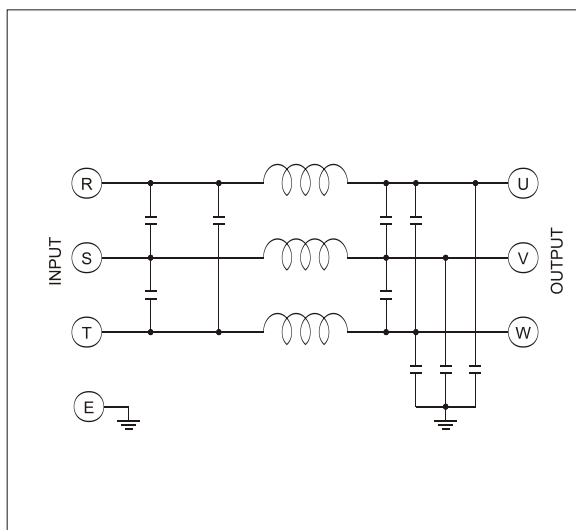
BOLT/High-volt 3-Phase

- 20 - 40Amp 450V
- Excellent Filtering for Normal Mode and common Mode Noise
- Low Leakage
- Bolt Terminals
- Suitable for Industrial & Medical Equipments, OA & FA Equipments, Measuring Equipments, etc.
- TUV Approved

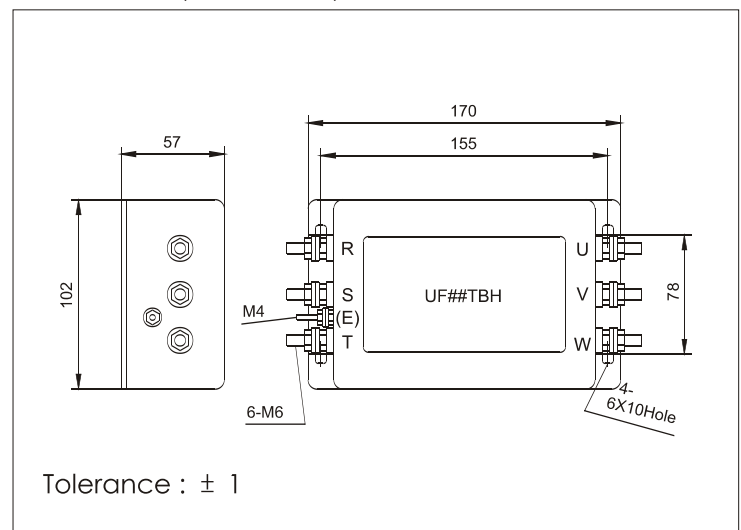
SPECIFICATIONS

Item	UF20TBH	UF30TBH	UF40TBH	Unit
RATED CURRENT	20	30	40	A
RATED VOLTAGE	450 Max			V
TEST VOLTAGE	1,500Vrms between line and earth for 1 minute			/
ISOLATION RESISTANCE	500Vdc 300Mohm between line and earth			/
LEAKAGE CURRENT	1 Max			mA
TEMPERATURE RISE	40 Max			°C
OPERATING TEMPERATURE	-25 ~ +85			°C

BLOCK DIAGRAM



DIMENSIONS(UNITS : MM)



TBH Series



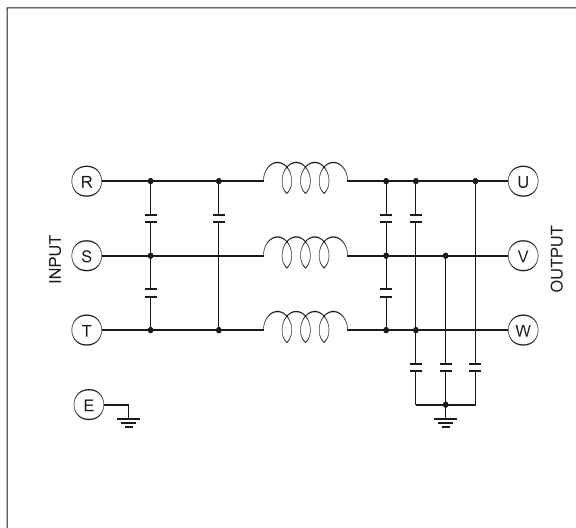
BOLT/High-volt 3-Phase

- 50 - 120Amp 450V
- Excellent Filtering for Normal Mode and common Mode Noise
- Low Leakage
- Bolt Terminals
- Suitable for Industrial & Medical Equipments, OA & FA Equipments, Measuring Equipments, etc.
- TUV Approved

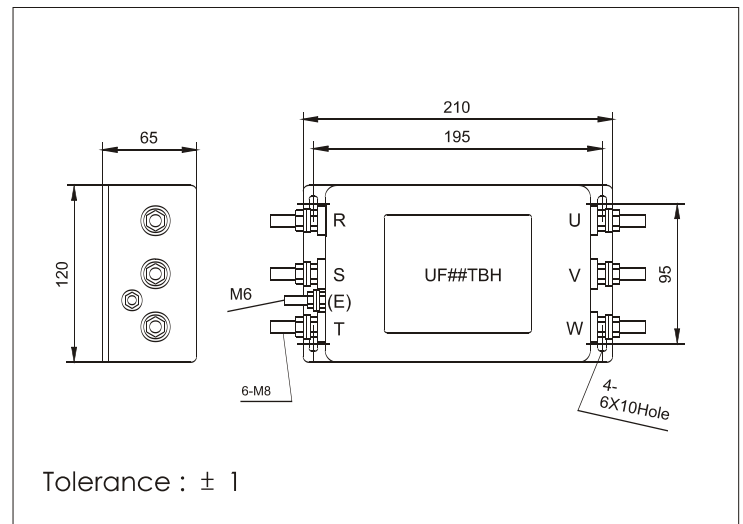
SPECIFICATIONS

Item	UF50TBH	UF60TBH	UF80TBH	UF100TBH	UF120TBH	Unit
RATED CURRENT	50	60	80	100	120	A
RATED VOLTAGE	450 Max					V
TEST VOLTAGE	1,500Vrms between line and earth for 1 minute					/
ISOLATION RESISTANCE	500Vdc 300Mohm between line and earth					/
LEAKAGE CURRENT	1 Max					mA
TEMPERATURE RISE	40 Max					°C
OPERATING TEMPERATURE	-25 ~ +85					°C

BLOCK DIAGRAM



DIMENSIONS(UNITS : MM)



TBH Series



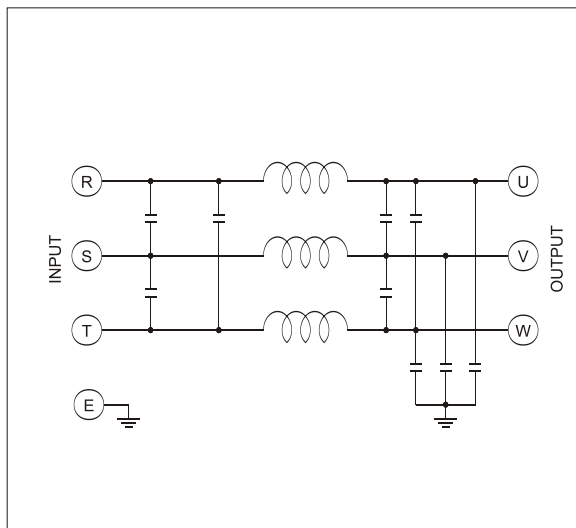
BOLT/High-volt 3-Phase

- **150 - 200Amp 450V**
- **Excellent Filtering for Normal Mode and common Mode Noise**
- **Low Leakage**
- **Bolt Terminals**
- **Suitable for Industrial & Medical Equipments, OA & FA Equipments, Measuring Equipments, etc.**

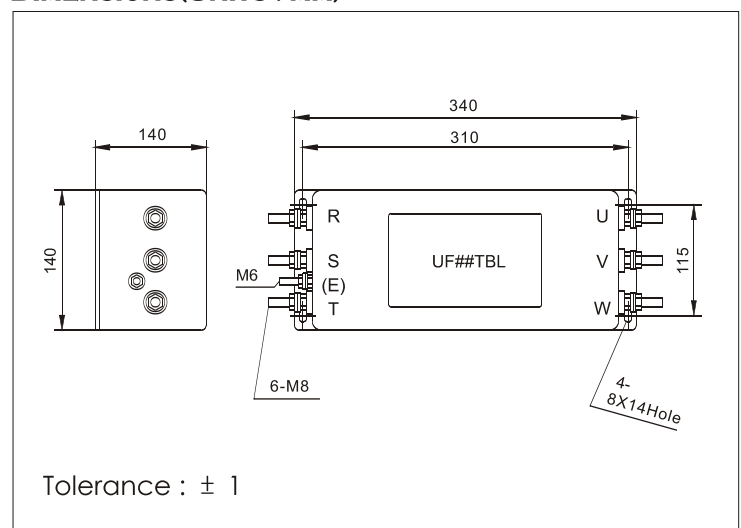
SPECIFICATIONS

Item	UF150TBH	UF200TBH	Unit
RATED CURRENT	150	200	A
RATED VOLTAGE	450 Max		V
TEST VOLTAGE	1,500Vrms between line and earth for 1 minute		/
ISOLATION RESISTANCE	500Vdc 300Mohm between line and earth		/
LEAKAGE CURRENT	1 Max		mA
TEMPERATURE RISE	40 Max		°C
OPERATING TEMPERATURE	-25 ~ +85		°C

BLOCK DIAGRAM



DIMENSIONS(UNITS : MM)



TBH Series



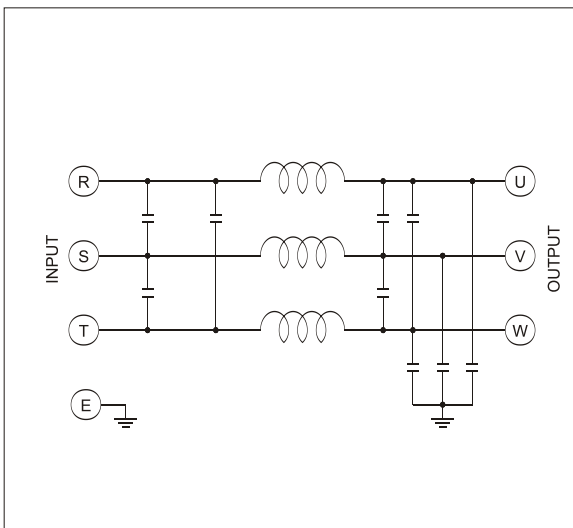
BOLT/High-volt 3-Phase

- 250 - 300Amp 450V
- Excellent Filtering for Normal Mode and common Mode Noise
- Low Leakage
- Bolt Terminals
- Suitable for Industrial & Medical Equipments, OA & FA Equipments, Measuring Equipments, etc.

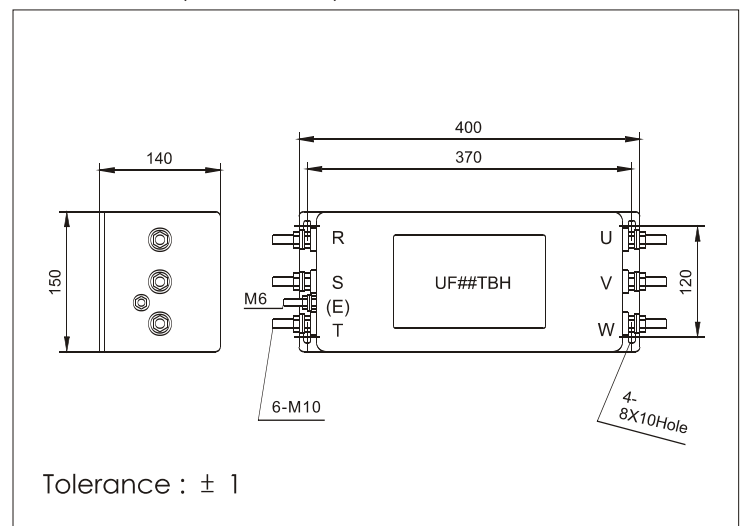
SPECIFICATIONS

Item	UF250TBL	UF300TBH	Unit
RATED CURRENT	250	300	A
RATED VOLTAGE	450 Max		V
TEST VOLTAGE	1,500Vrms between line and earth for 1 minute		/
ISOLATION RESISTANCE	500Vdc 300Mohm between line and earth		/
LEAKAGE CURRENT	1 Max		mA
TEMPERATURE RISE	40 Max		°C
OPERATING TEMPERATURE	-25 ~ +85		°C

BLOCK DIAGRAM



DIMENSIONS(UNITS : MM)



TBH Series



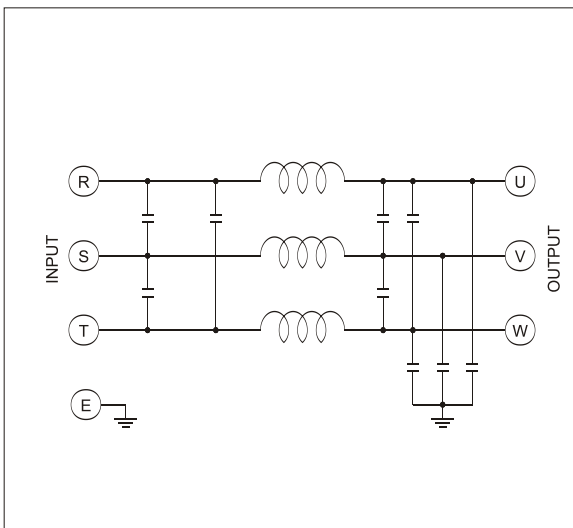
BOLT/High-volt 3-Phase

- **450Amp 450V**
- **Excellent Filtering for Normal Mode and common Mode Noise**
- **Low Leakage**
- **Bolt Terminals**
- **Suitable for Industrial & Medical Equipments, OA & FA Equipments, Measuring Equipments, etc.**

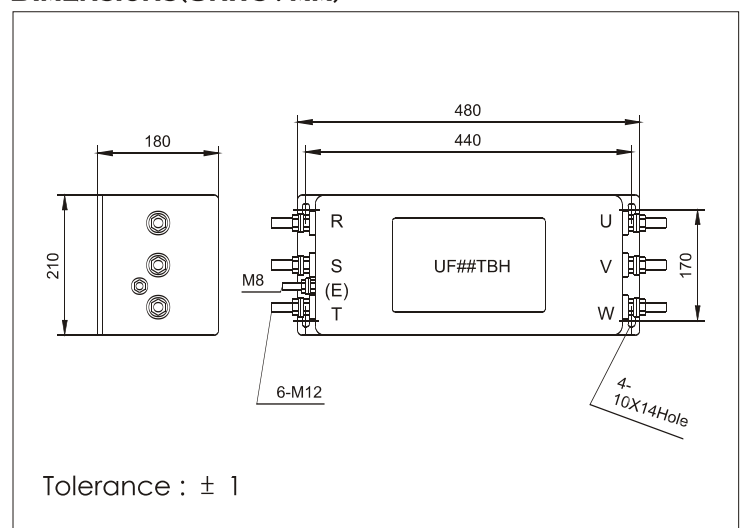
SPECIFICATIONS

Item	UF450TBH	Unit
RATED CURRENT	450	A
RATED VOLTAGE	450 Max	V
TEST VOLTAGE	1,500Vrms between line and earth for 1 minute	/
ISOLATION RESISTANCE	500Vdc 300Mohm between line and earth	/
LEAKAGE CURRENT	1 Max	mA
TEMPERATURE RISE	40 Max	°C
OPERATING TEMPERATURE	-25 ~ +85	°C

BLOCK DIAGRAM

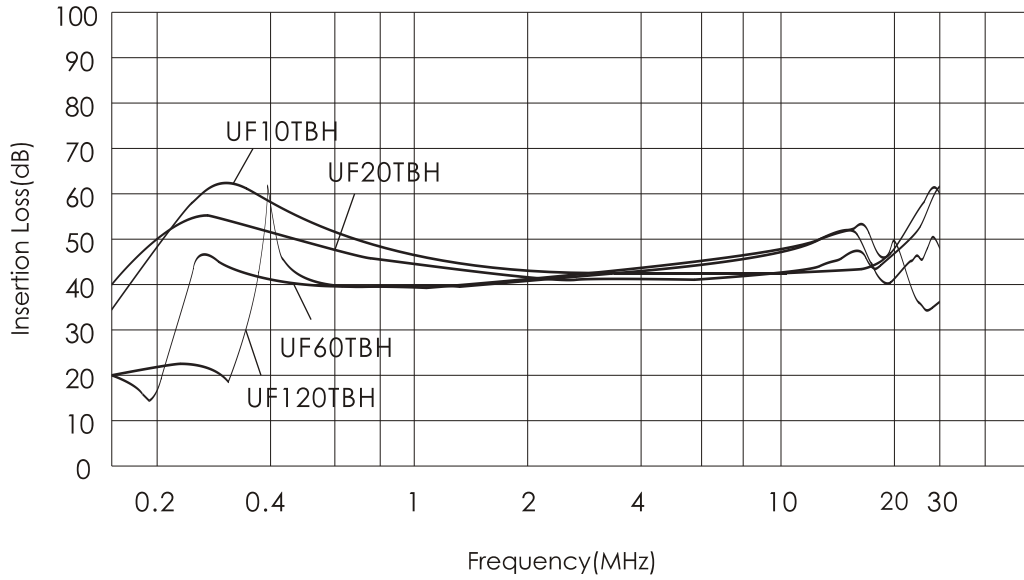


DIMENSIONS(UNITS : MM)



Characteristic curve

A. COMMON MODE



B. NORMAL MODE

