

S.M.P.S

LED Converter

Water Proof Converter

150W2(V1) Series

150W single output
with constant voltage circuit



- Constant voltage design(C.V. mode)
- AC Input voltage 160-277V
- Protections:
Over load/Over voltage /Short circuit /Over temperature
- IP68 design for outdoor installations
- 100% full load burn-in test
- Suitable for LED lighting and moving sign applications
- Metal case
- Safety standards : EN61347-1,EN61347-2-13 /K61347-1,K61347-2-13
- EMC standards : EN55022,EN61204-3, EN61000-3-2,3/K00015,K61547
- 3years warranty

IP68

ITEM		UP150S12W2(V1)	UP150S24W2(V1)
INPUT	VOLTAGE RANGE	AC160~277V	
	FREQUENCY RANGE	47~63Hz	
	EFFICIENCY(typ.)	85%	88%
	AC CURRENT(typ.)	1.1A/230VAC	
	INRUSH CURRENT(typ.)	COLD START 70A/230VAC	
	LEAKAGE CURRENT	<2mA / 230VAC	
OUTPUT	DC VOLTAGE	12V	24V
	RATED CURRENT	12.5A	6.25A
	RATED POWER	150W	150W
	RIPPLE&NOISE(max.) Note2	170mVp-p	290mVp-p
	VOLTAGE ADJ. RANGE	±5%	±5%
	VOLTAGE TOLERANCE Note3	±3%	±3%
	LINE REGULATION Note4	±1%	±1%
	LOAD REGULATION Note5	±2%	±2%
	SETUP,RISE TIME(max.)	3000ms,100ms/230VAC at full load	
HOLD UP TIME(typ.)	25ms/230VAC at full load		
PROTEC-TION	SHORT CIRCUIT	Hiccup mode ; recovers automatically after fault condition is removed	
	OVER LOAD	Over 110% of rating ; recovers automatically after fault condition is removed	
	OVER VOLTAGE	115~140% of rating	
	OVER TEMPERATURE	12V : 100±10°C (temp. Sensor) ; recovers automatically after fault condition is removed 24V : 95±10°C	
ISOLA-TION	WITHSTAND VOLTAGE	I/P-O/P:AC3KV, I/P-F.G:AC1.5KV, O/P-F.G:AC0.5KV	
	ISOLATION RESISTANCE	I/P-O/P, I/P-F.G, O/P-F.G:DC500V 100Mohms(At room temp. & humid.)	
ENVIRON-MENT	WORKING TEMP.&HUMID.	-40~+70°C (Refer to "DERATING CURVE"),20~95%RH	
	STORAGE TEMP.&HUMID.	-40~+75°C,10~95%RH	
	VIBRATION	10~500Hz, 5G 12min./1cycle, period for 72min. each along X, Y, Z axes	
OTHERS	DIMENSION/WEIGHT	212*74*46.5mm(L*W*H)/1.1Kg	

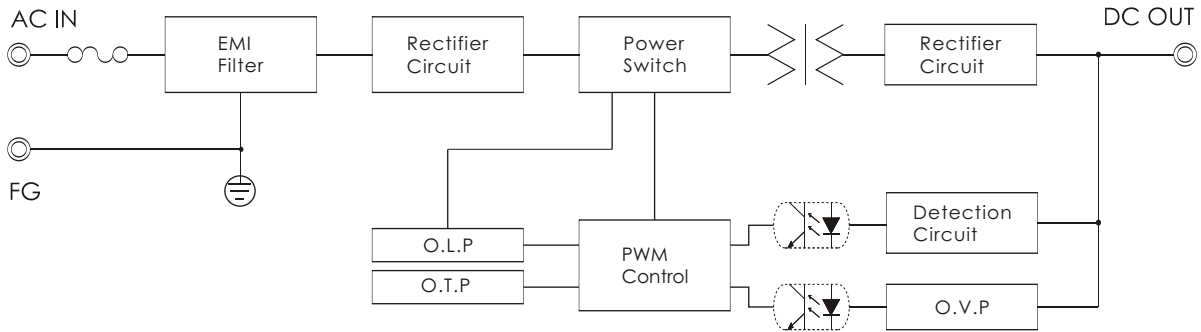
- NOTE**
1. All parameters not specially mentioned are measured at 230vac input, rated load and 25°C of ambient temperature.
 2. ripple & noise are measured at 20MHz of bandwidth by using a 12" twisted pare-wire terminated with 0.1 uF & 47uF parallel capacitor.
 3. Tolerance : includes set up tolerance, line regulation and load regulation.
 4. Line regulation is measured from low line to high line at rated load.
 5. Load regulation is measured from low 0% to 100% rated load.

S.M.P.S

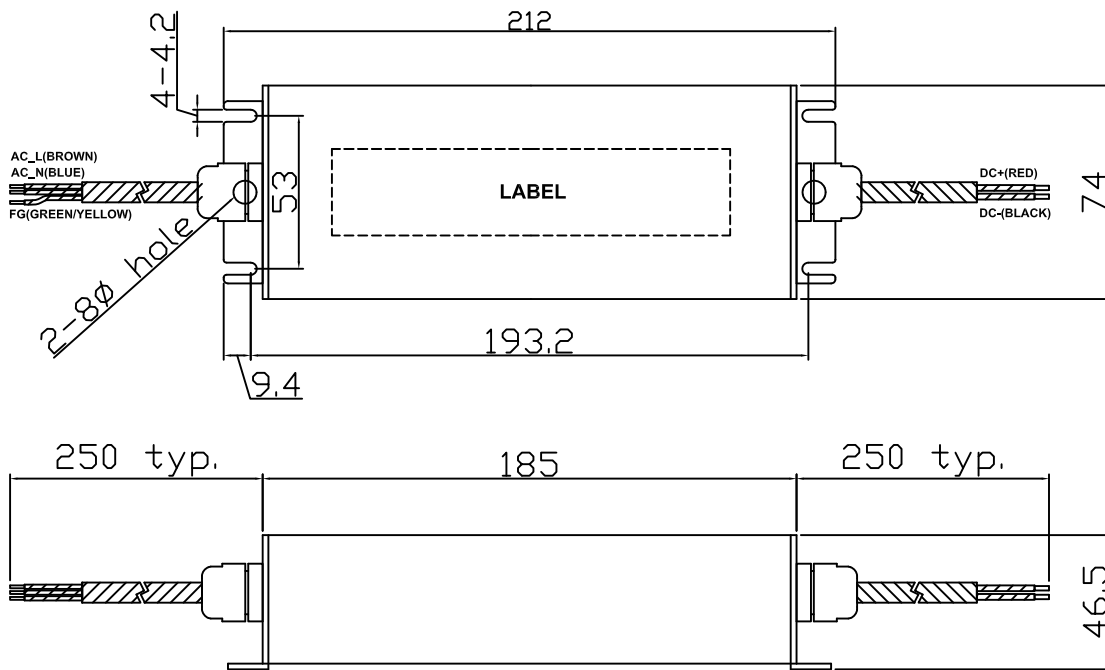
LED Converter

Water Proof Converter

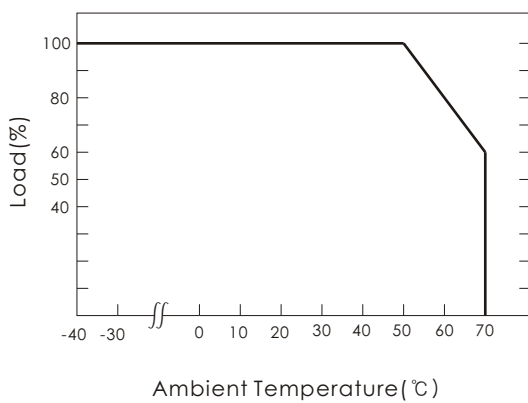
■ BLOCK DIAGRAM



■ DIMENSIONS(unit:mm)



■ DERATING CURVE



■ STATIC CHARACTERISTICS

