

S.M.P.S

LED Converter

Water Proof Converter

F150CH2 Series

150W single output with C.C circuit and PFC function



- Constant current design(C.C. mode)
- Built-in PFC function
- Protections:Over current / Short circuit
- IP68 design for outdoor installations
- 100% full load burn-in test
- Suitable for LED lighting and street lighting applications
- Safety standards : K61347-2-1,K61347-2-13
- EMC standards : K00015,K61547,K61000-3-2,3
- Metal case

IP68

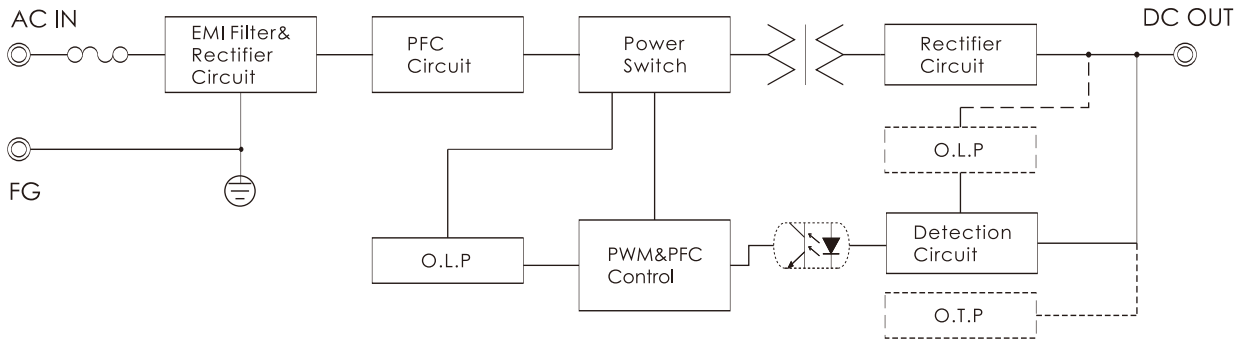
ITEM		UPF150S30CH2
INPUT	VOLTAGE RANGE	AC180~264V
	FREQUENCY RANGE	47~63Hz
	POWER FACTOR	PF>0.95 at full load
	EFFICIENCY(typ.)	92.5%
	AC CURRENT(typ.)	0.71A/230VAC
	INRUSH CURRENT(typ.)	40A/230VAC
	LEAKAGE CURRENT	<2.5mA / 230VAC
OUTPUT	RATED CURRENT	4.6A
	CONSTANT CURRENT REGION	24-30V
	RATED POWER	138W
	CURRENT ADJ. RANGE	3.5~4.6A
	CURRENT ACCURACY	±5%
	RIPPLE&NOISE(max.) Note2	150mVp-p
	SETUP,RISE TIME(max.)	3000ms,100ms/230VAC at full load
PROTEC-TION	HOLD UP TIME(typ.)	15ms/230VAC at full load
	OVER CURRENT Note3	95~108%
ISOLA-TION	SHORT CIRCUIT	Hiccup mode ; recovers automatically after fault condition is removed
	WITHSTAND VOLTAGE	I/P-O/P:AC3KV, I/P-F.G:AC1.5KV, O/P-F.G:AC0.5KV
ENVIRON-MENT	ISOLATION RESISTANCE	I/P-O/P, I/P-F.G, O/P-F.G:DC500V 100Mohms(At room temp. & humid.)
	WORKING TEMP.&HUMID.	-40~+70℃ (Refer to "DERATING CURVE),20~95%RH
	STORAGE TEMP.&HUMID.	-40~+80℃,10~95%RH
OTHERS	VIBRATION	10~500Hz, 5G 12min./1cycle, period for 72min. each along X, Y, Z axes
	DIMENSION/WEIGHT	224*55.5*37.3mm(L*W*H)/0.77Kg
NOTE	<p>1. All parameters not specially mentioned are measured at 230vac input, rated load and 25℃ of ambient temperature.</p> <p>2. Ripple & noise are measured at 20MHz of bandwidth by using a 12" twisted pare-wire terminated with 0.1 uF & 47uF parallel capacitor.</p> <p>3. Refer to "DRIVING METHODS of LED MODULE"</p>	

S.M.P.S

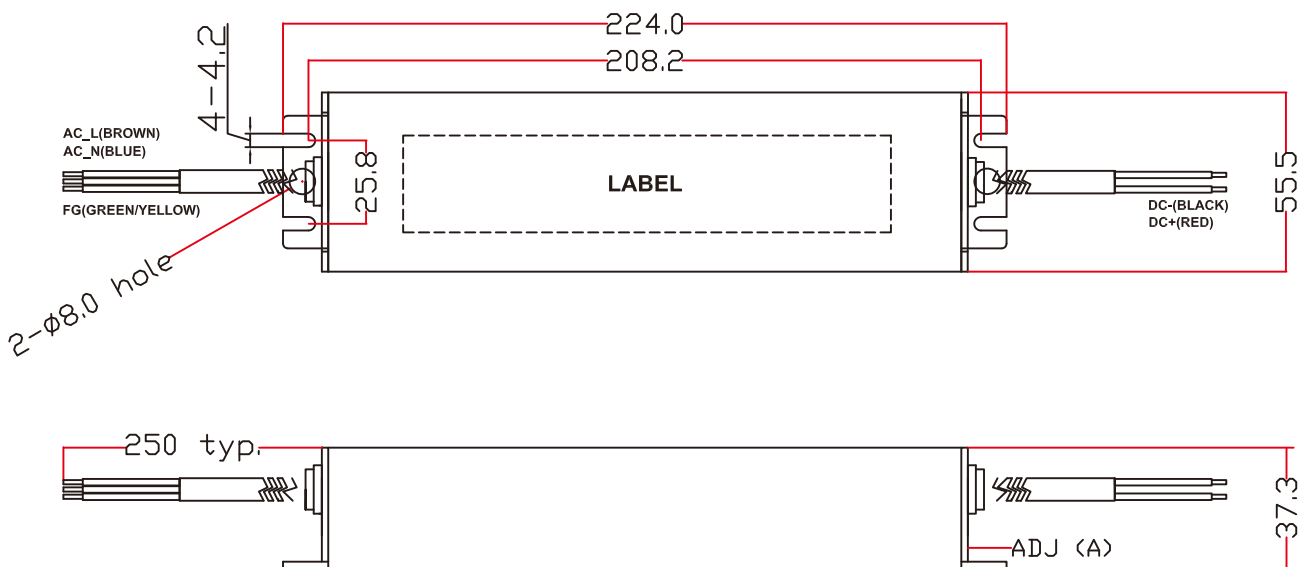
LED Converter

Water Proof Converter

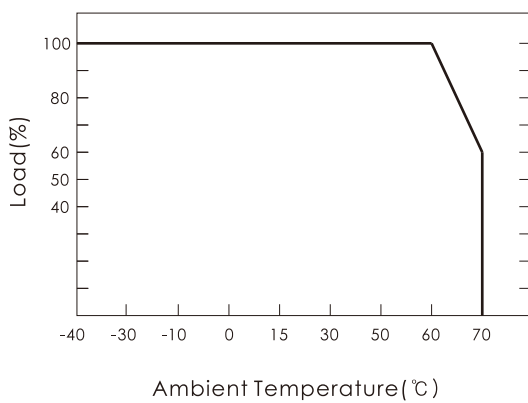
■ BLOCK DIAGRAM



■ DIMENSIONS(unit:mm)



■ DERATING CURVE



■ STATIC CHARACTERISTICS

