

# F50D33CQ2 Series

50W Dual output with c.c circuit and PFC function



- **Constant current design**
- **Built-in PFC function**
- **Protections : Over current /Short circuit**
- **IP68 design for outdoor installations**
- **100% full load burn-in test**
- **Suitable for LED lighting and street & tunnel lighting applications**
- **Safety standards : K61347-2,1,K61347-2-13**
- **EMC standards : K00015,K61547,K61000-4-2,3,4,5,6,11**
- **Metal case**

IP68    

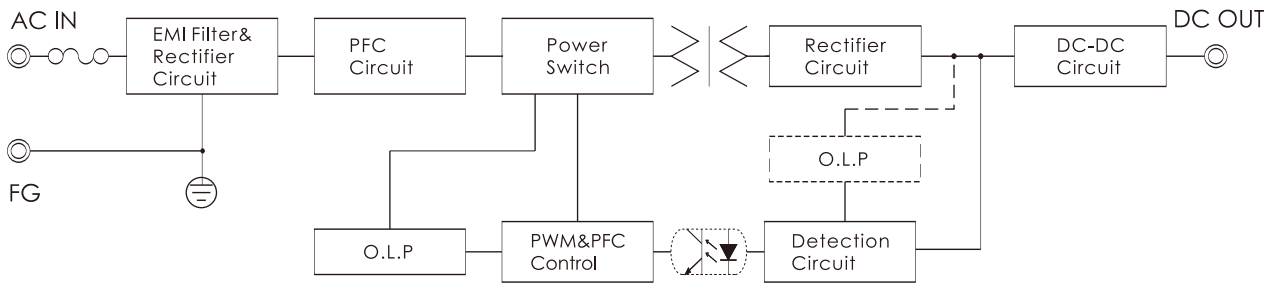
ITEM		UPF50D33CQ2	
INPUT	VOLTAGE RANGE	AC180~264V	
	FREQUENCY RANGE	47~63Hz	
	POWER FACTOR	PF>0.95 at over 80% of rated power	
	EFFICIENCY(typ.)	88%	
	AC CURRENT(typ.)	0.22A/230VAC(typ)	
	INRUSH CURRENT(typ.)	COLD START 10A/230VAC	
	LEAKAGE CURRENT	<2.5mA / 230VAC	
OUTPUT	RATED CURRENT	1Ch	2Ch
		700mA	700mA
	CURRENT ADJ. RANGE	525~700mA	525~700mA
	CONSTANT CURRENT REGION	18-30V	
	RATED POWER	42W	
	CURRENT ACCURACY	±5%	
	SETUP,RISE TIME(max.)	3000ms,100ms/230VAC at full load	
HOLD UP TIME(typ.)	50ms/230VAC at full load		
PROTEC-TION	OVER CURRENT <small>Note2</small>	Over 95~108% of rating ; recovers automatically after fault condition is removed	
	SHORT CIRCUIT	Constant current recovers automatically after fault condition is removed	
ISOLA-TION	WITHSTAND VOLTAGE	I/P-O/P:AC3.75KV, I/P-F.G:AC2KV, O/P-F.G:AC1.5KV	
	ISOLATION RESISTANCE	I/P-O/P, I/P-F.G, O/P-F.G:DC500V 100Mohms(At room temp. & humid.)	
ENVIRON-MENT	WORKING TEMP.&HUMID.	-40~+70℃(Refer to "DERATING CURVE),20~95%RH	
	STORAGE TEMP.&HUMID.	-40~+80℃,10~95%RH	
	VIBRATION	10~500Hz, 5G 12min./1cycle, period for 72min. each along X, Y, Z axes	
OTHERS	DIMENSION/WEIGHT	168*61.5*37.1mm(L*W*H)/0.52Kg	
NOTE	1. All parameters not specially mentioned are measured at 230Vac input, rated load and 25℃ of ambient temperature. 2. Refer to "DRIVING METHODS of LED MODULE"		

S.M.P.S

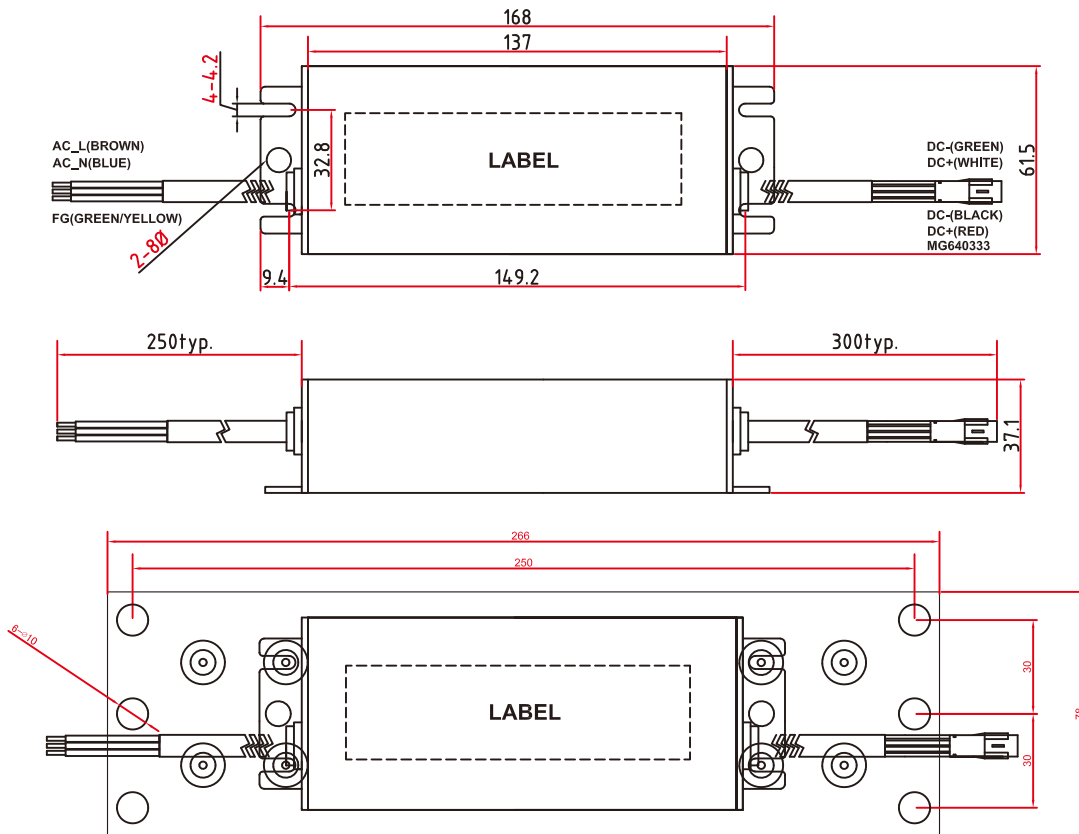
LED Converter

Water Proof Converter

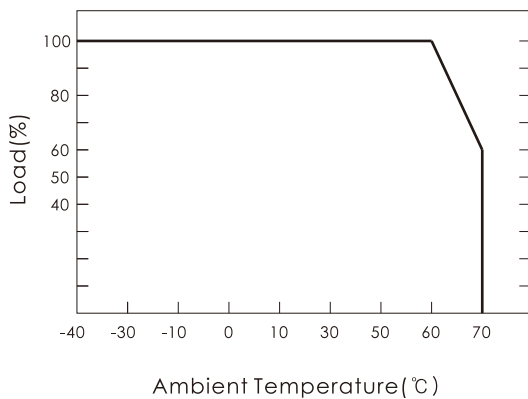
■ BLOCK DIAGRAM



■ DIMENSIONS(unit:mm)



■ DERATING CURVE



■ STATIC CHARACTERISTICS

